
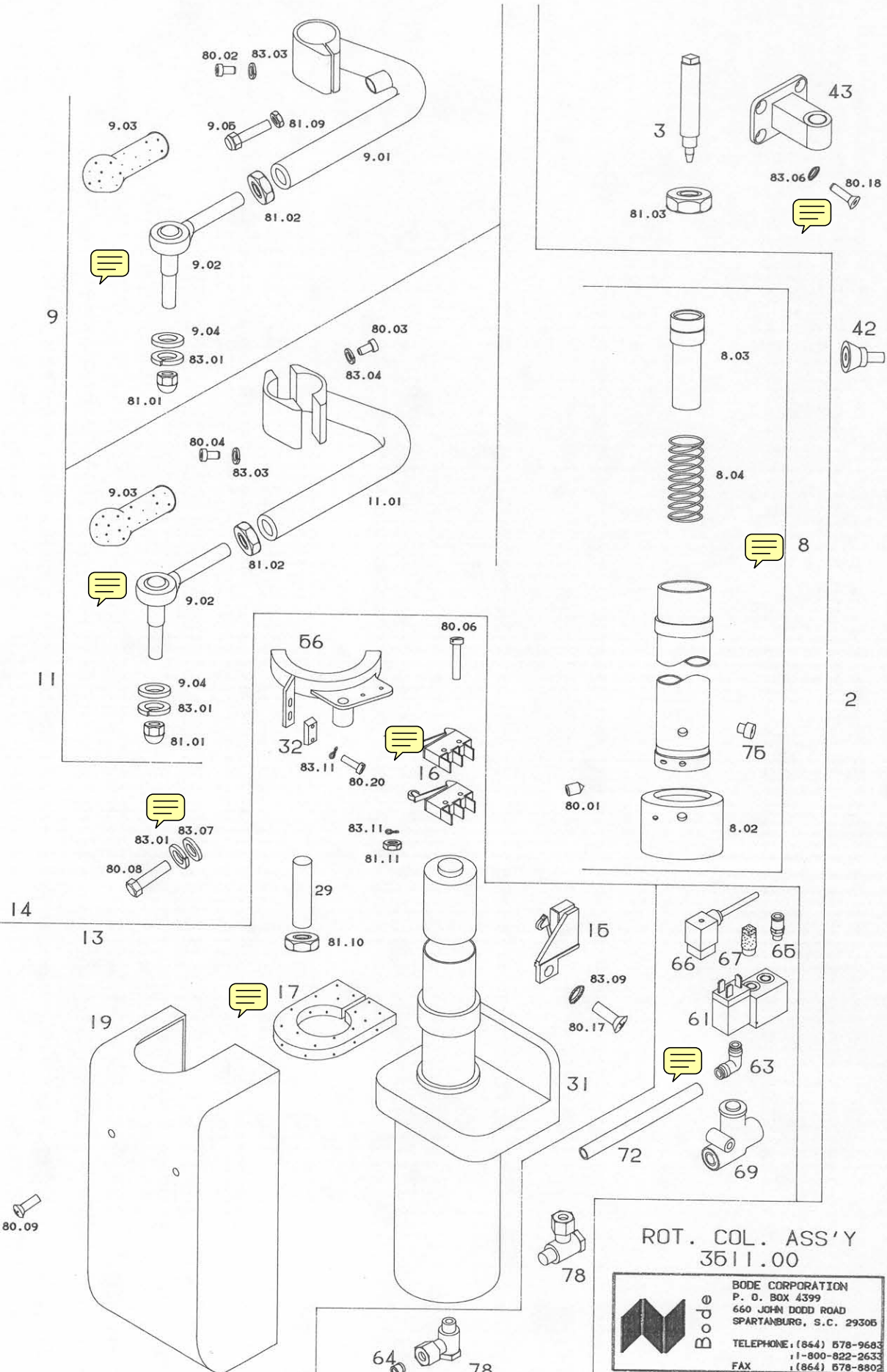


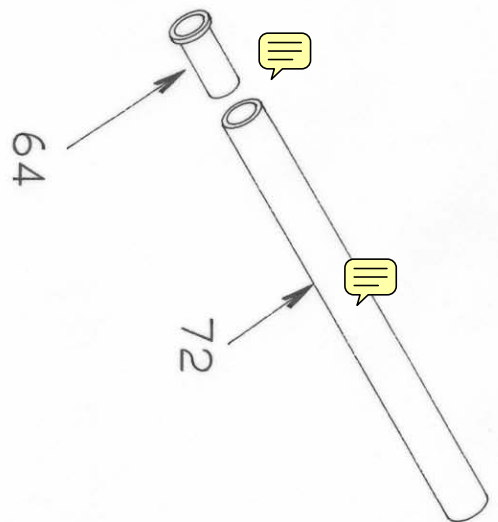
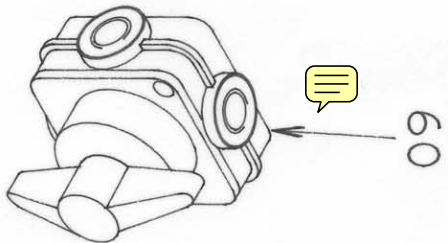
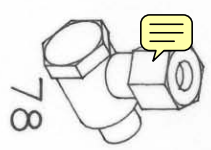
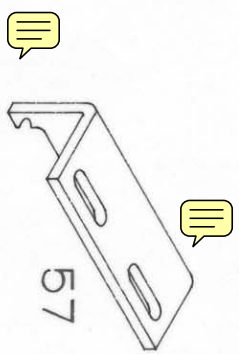
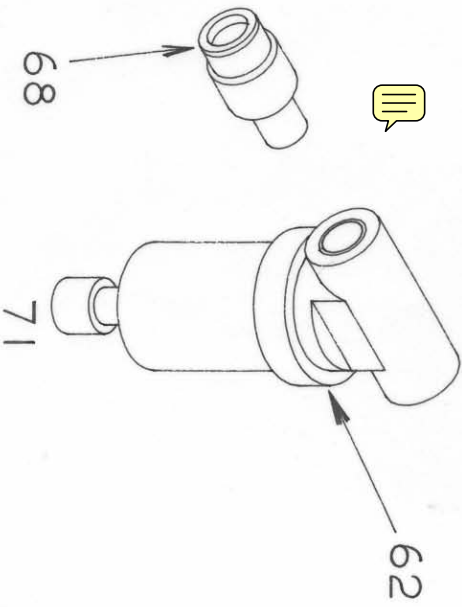
PLUG DOOR  
3611.00

 Bode CORPORATION  
P. O. BOX 4399  
660 JOHN DODD ROAD  
SPARTANBURG, S.C. 29308  
TELEPHONE: (864) 578-9683  
1-800-822-2633  
FAX: (864) 578-8802




ROT. COL. ASS'Y  
3511.00

		BODE CORPORATION
		P. O. BOX 4399
		660 JOHN DODD ROAD
		SPARTANBURG, S.C. 29306
		TELEPHONE: (864) 578-9683
		11-800-822-2633
		FAX: (864) 578-8802



PLUG DOOR  
 3511.00  
 PNEUMATIC COMPONENTS



**Bode**

**BODE CORPORATION**  
 P. O. BOX 4399  
 660 JOHN DODD ROAD  
 SPARTANBURG, S.C. 29306

TELEPHONE: (864) 578-9683  
 : 1-800-822-2633  
 FAX : (864) 578-8802