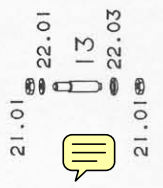
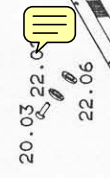


JACKKNIFE DOOR

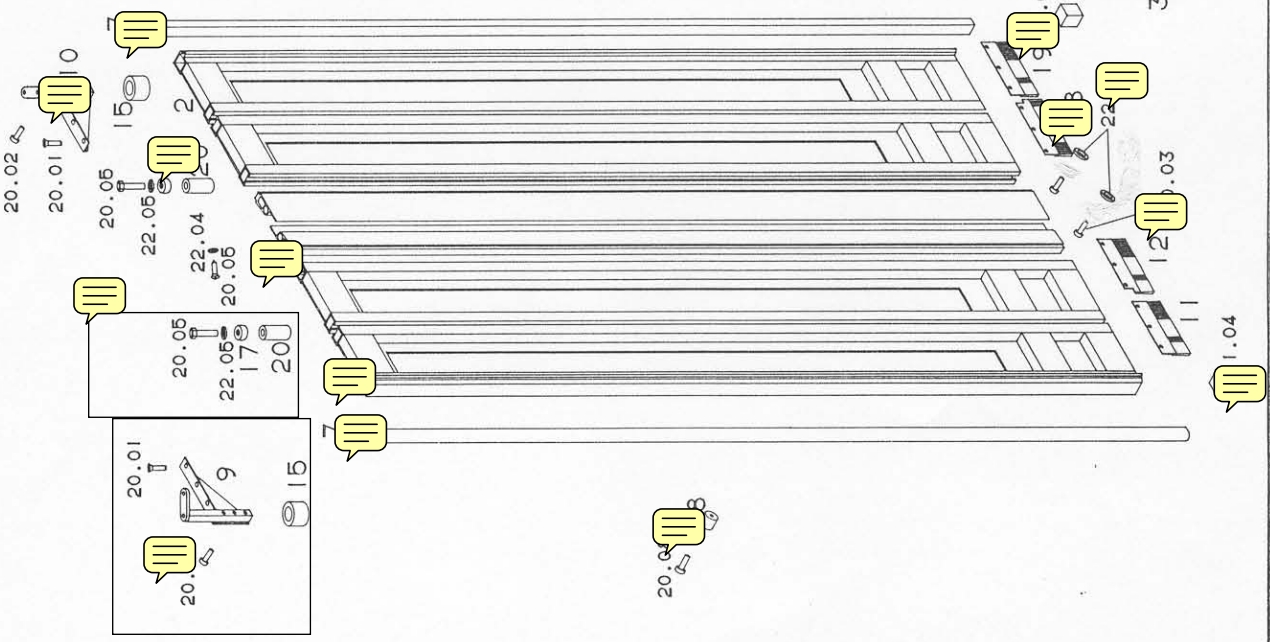
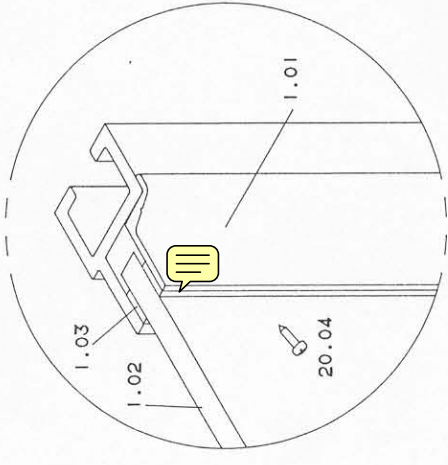
3390.00

BODE CORPORATION
 P. O. BOX 4399
 660 JOHN DODD ROAD
 SPARTANBURG, S.C. 29305
 TELEPHONE: (864) 578-9683
 FAX: (864) 578-8902


© 2002 Bode Corporation



WINDOW AREA DETAIL



DRIVE PLATE ASS'Y 3390.70


BODE CORPORATION
 P. O. BOX 4399
 SPARTANBURG, S.C. 29306
 TELEPHONE: (864) 878-8633
 FAX: (864) 878-8802

