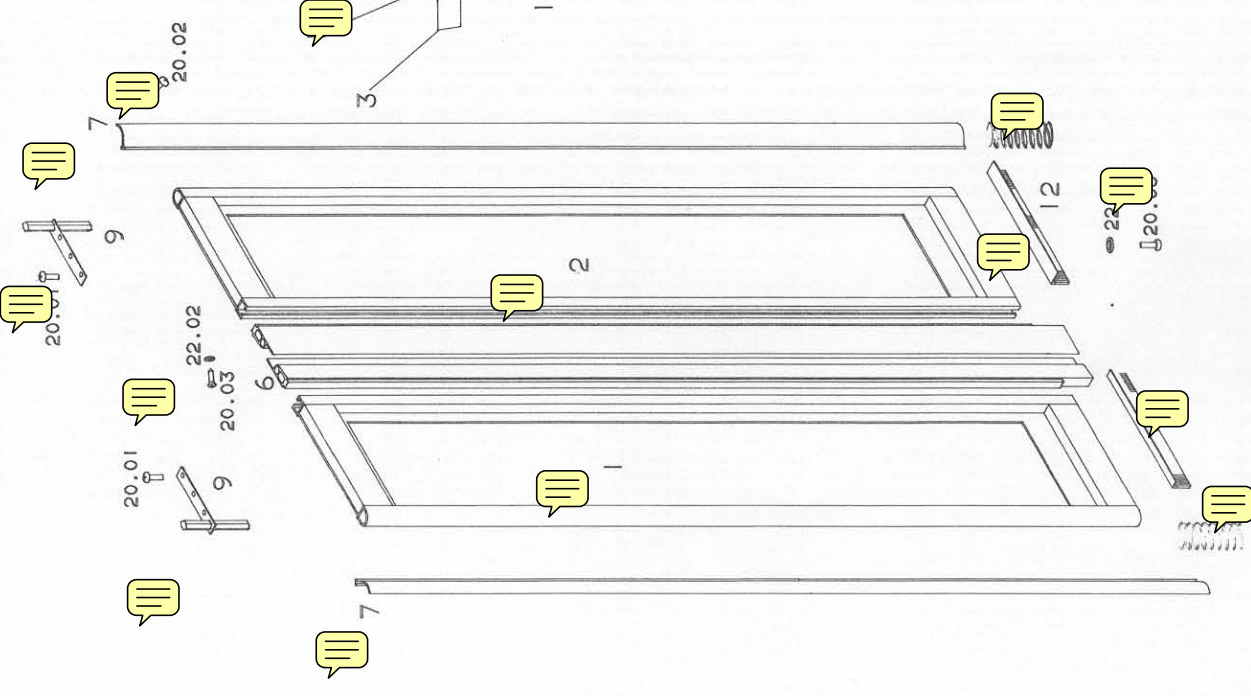
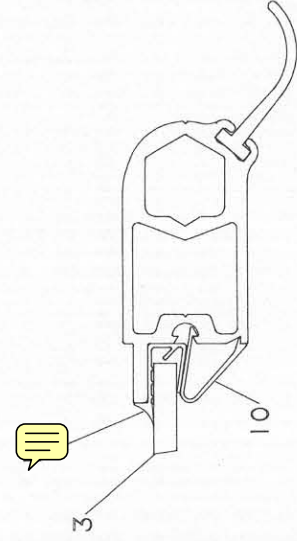


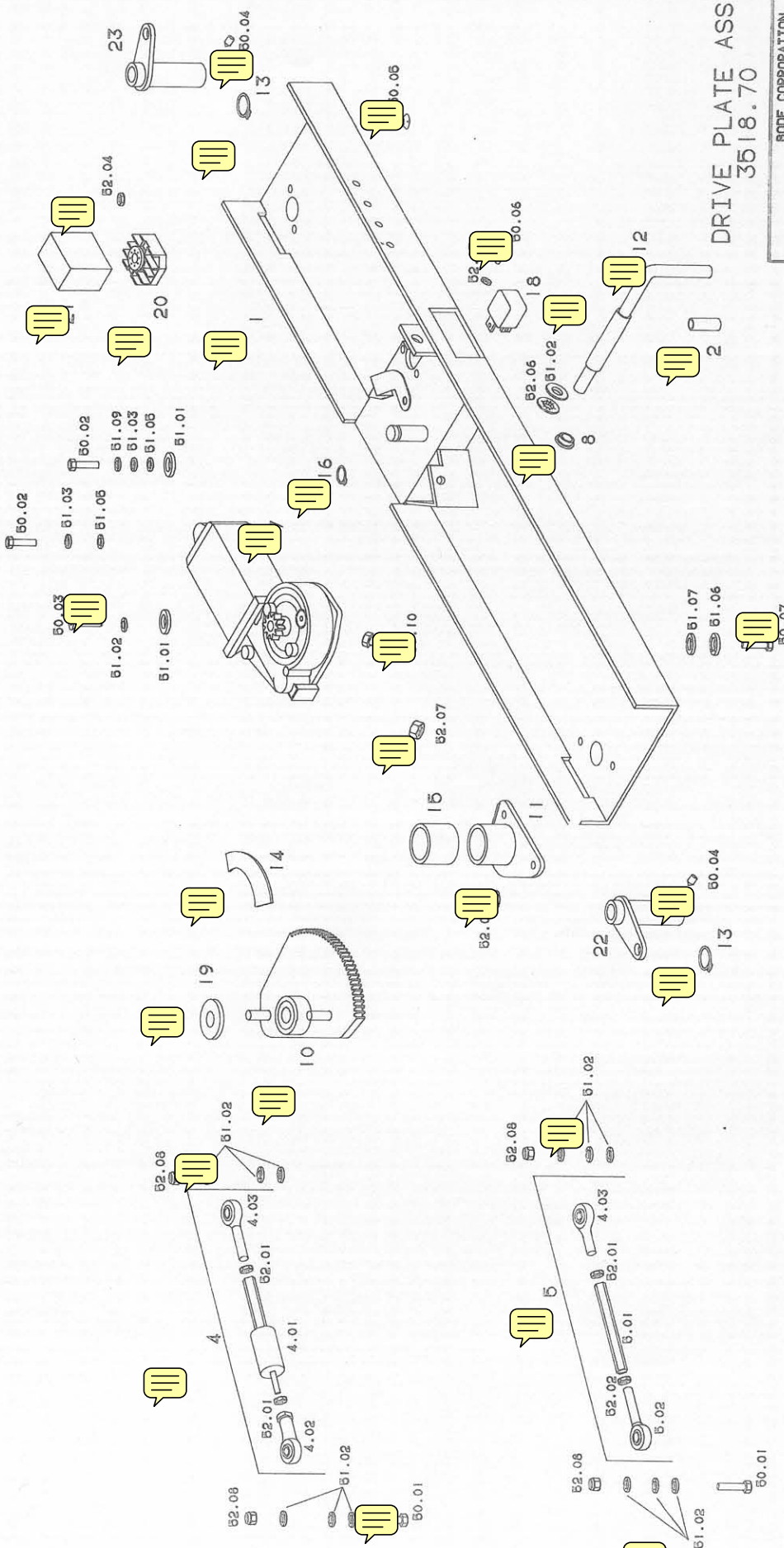
WINDOW AREA DETAIL



PUSH-OUT DOOR  
3571.00

  
 BODE CORPORATION  
 P. O. BOX 4399  
 660 JOHN DODD ROAD  
 SPARTANBURG, S. C. 29308  
 TELEPHONE: (864) 878-9683  
 FAX: (864) 878-8802

 13  
 22.01  
 15



DRIVE PLATE ASS'Y  
3518.70


  
 BODE CORPORATION  
 P. O. BOX 4399  
 660 JOHN DODD ROAD  
 SPARTANBURG, S.C. 29306  
 TELEPHONE : (864) 578-9663  
 : (800) 822-2653  
 FAX : (864) 578-6602